

Gaskets and Gasket sets suitable for

BMW | MINI

B38

The BMW B38 is a 1.5-liter three-cylinder inline engine that has been in production since 2013. It is part of the modular engine family used by both BMW and MINI. The B38 powers various models, including the Mini One, BMW 116i, 218i, 318i, X1, X2, and i8. The engine block is made of aluminum and features a displacement ranging from 1198 cm³ in MINI applications to 1499 cm³ in BMW applications. Depending on the model, the power output varies from 75 hp at 4250 rpm to 231 hp at 5800 rpm. The maximum torque reaches up to 320 Nm at 3700 rpm.

www.elring.com



Catalog



100.310



100.690
Euro 6



100.930
Euro 6



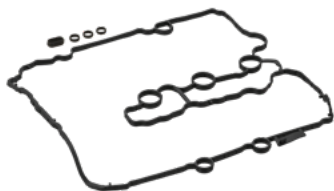
B09.580
#11 12 8 605 597



793.120



702.530



096.380
#11 12 9 797 195



572.630
#11 12 8 644 674
M11x1,5x188

ElringKlinger AG | Aftermarket Division

Max-Eyth-Straße 2 | D-72581 Dettingen/Erms

Fon +49 7123 724-799

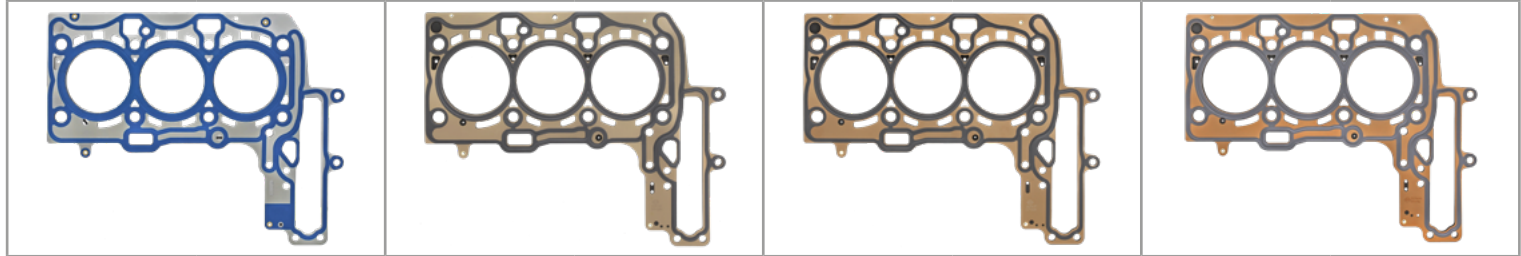
service@elring.de | www.elring.com



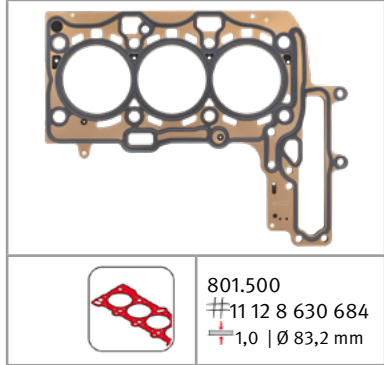
Das Original





	B34.630 #11 42 8 596 283		101.070		101.190 Euro 6		648.641
---	-----------------------------	---	---------	---	-------------------	---	---------



	577.710 #11 12 8 636 960 +1,0 Ø 79 mm		577.680 #11 12 8 627 105 +0,7 Ø 83,2 mm		577.690 #11 12 8 627 106 +1,0 Ø 83,2 mm		801.490 #11 12 8 630 683 +0,7 Ø 83,2 mm
---	---	---	---	---	---	---	---



	801.500 #11 12 8 630 684 +1,0 Ø 83,2 mm
---	---

 # i				 # i			
100.660		Gasket Kit, cylinder head		082.200	13 53 9 847 174	Seal Ring, injector	5,2x6,5x2,7 A PTFE
481.940		Gasket Kit, cylinder head		456.900	13 53 7 591 006	Seal Ring, injector	6,1x7,8x3,4 PTFE
648.620		Gasket Kit, cylinder head		586.492	11 62 8 631 898	Gasket, exhaust manifold	Euro 6
648.720		Gasket Kit, cylinder head		720.580	11 61 7 796 622	Seal Ring, charger	
702.520		Gasket Kit, crank-case		572.700	11 61 7 633 493	Gasket, intake manifold	
308.630	11 34 0 038 720	Seal Set, valve stem		091.940	11 61 8 576 280	Gasket, throttle body	
308.970	11 34 0 038 719	Seal Set, valve stem		427.220	11 61 8 509 400	Gasket, throttle body	
091.830		Gasket Set, water pump	for 11518631940	485.490	11 61 8 587 509	Gasket, throttle body	
091.760	11 42 9 888 806	Gasket Set, oil cooler		576.100	11 61 7 633 521	Gasket, throttle body	
582.190		Gasket Set, oil cooler	for 11428580412	077.363	11 65 7 618 035	Gasket, exhaust manifold	
634.970	11 42 8 591 462	Gasket Set, oil cooler		077.413	11 62 8 607 013	Gasket, exhaust manifold	
091.750	11 12 8 638 245	Gasket, cylinder head cover		586.331	11 65 8 631 699	Exhaust Turbo-charger	
588.340	11 12 8 618 515			737.660	18 30 7 581 970	Gasket, exhaust pipe	
588.350	11 12 8 618 514			596.640	11 42 8 591 460	Gasket, oil filter housing	for 11428596283, 11428593771
036.164		Dirko HT		078.500	12 61 9 454 471	Seal Ring, engine oil level sensor	
586.550	11 14 8 602 594	Shaft Seal, crankshaft		351.210	12 61 7 604 790	Seal Ring, engine oil level sensor	
076.510	11 12 7 617 411	Gasket, fuel pump	for 11 12 7 617 411, 11 12 8 638 246	455.740	11 13 7 535 106	Screw Plug, oil sump	M12x1,5x16
593.220	11 12 8 618 520	Gasket, fuel pump	for 11 12 7 588 416, 11 12 8 618 520, 11 12 8 633 750	648.240	11 51 8 577 888	Seal, thermostat	